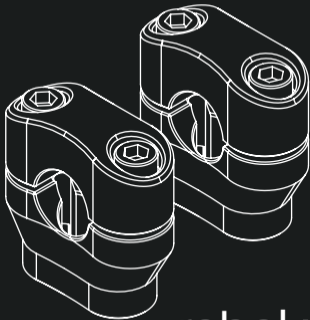




rebelmoto



rebel risers



rebel risers Installation



Disclaimer

Rebelmoto accepts no liability for damage, injury or any legal responsibility incurred directly or indirectly from the use or installation of this product. The use and installation of this product is at user's own risk.

Install the lower part of the risers on the triple tree using the two stainless M10 bolts. If you are installing a rebelmoto triple tree, the extra 6mm holes can be used to run wiring through the risers.

When installing the upper part of the risers, make sure to tighten the M8 stainless bolts evenly. The gap between the upper and lower part has to be the same at the front and the back.