

INSTALLATION MANUAL

Thank you for buying a set of Rebelmoto Clip-Ons.

Disclaimer

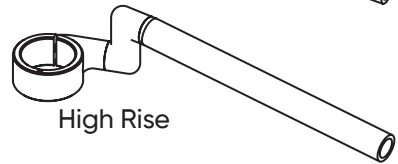
Rebelmoto accepts no liability for damage, injury or any legal responsibility incurred directly or indirectly from the use or installation of this product. The use and installation of this product is at user's own risk.

Installation

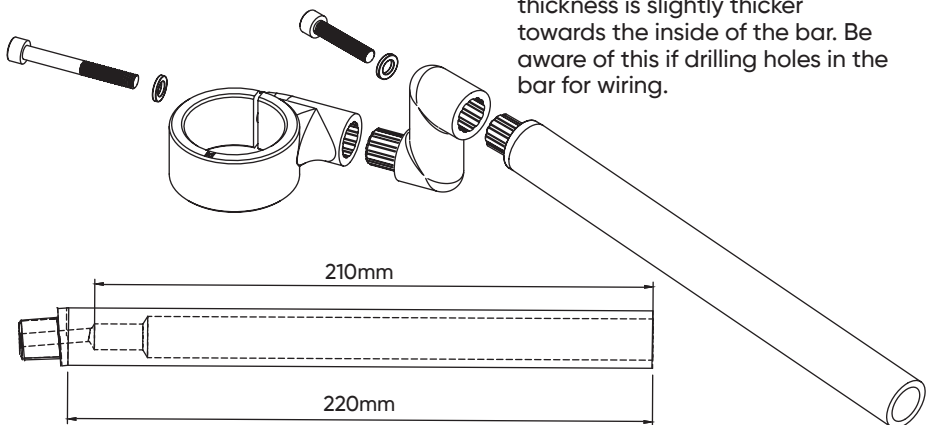
Start by mounting the Clip-Ons to the forks and figure out the desired angle and position. Due to the clever design it is very easy to align both sides, no alignment tool is necessary. Both the Low and High Rise Clip-Ons can be adjusted to your preference. Simply unscrew the bolt(s), slide out the bar or High Rise joint and place them in the desired position followed by reattaching the bolt.



Low Rise



High Rise



The bar is 220mm long and is hollow 210mm in. The wall thickness is slightly thicker towards the inside of the bar. Be aware of this if drilling holes in the bar for wiring.